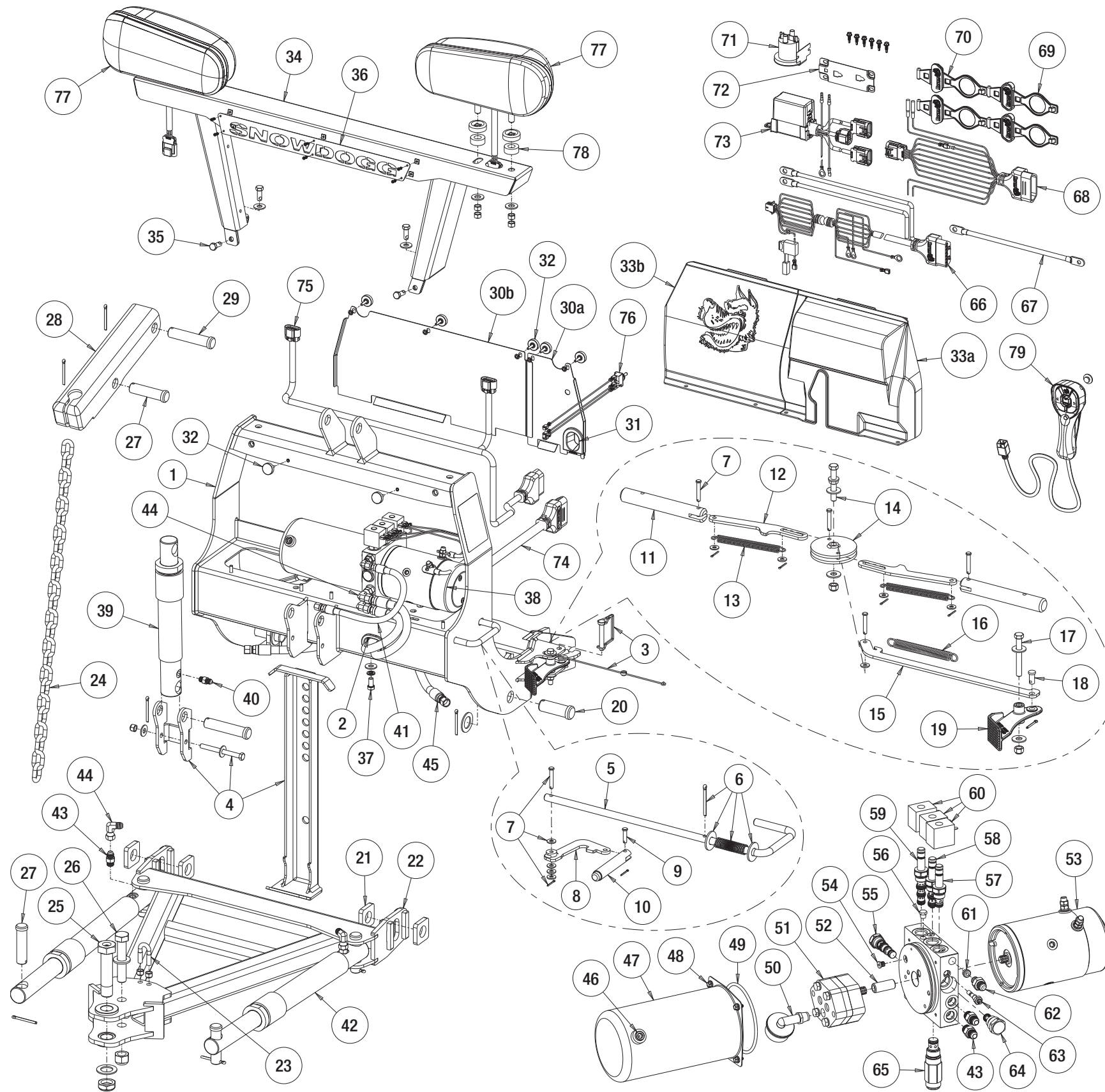


# MDII SERIES REPLACEMENT PARTS

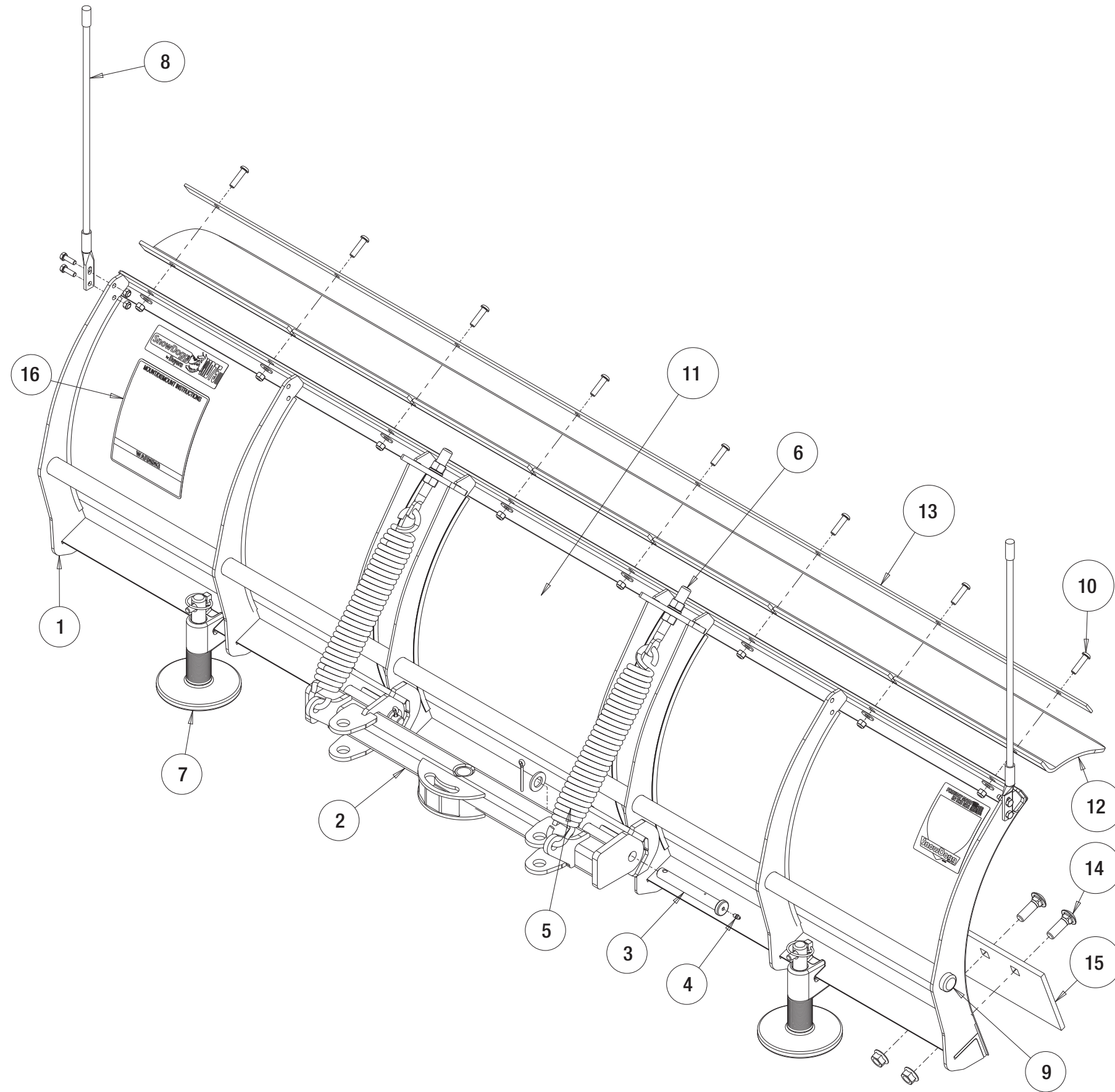


## LIFT FRAME



ITEM	QTY.	PART NO.	DESCRIPTION
		16015004	MD2 Lift Frame Assembly
ACC		16150010	Hydraulic Fluid, Low Temp, 1 CASE (12 QTS)
1	1	16110106	Lift Frame Assembly, MD2/VMD2
	1	16111616	Lift Frame, MD2/VMD2
2	1	16152142	Grommet, 1-3/4in Hole, .125 Thick
3	1	16111124	Snapper Pin, 2-1/2in with Lanyard
4	1	16111342	Drop Foot Kit, MD2
5	1	16111176	Handle, Drop Foot
6	1	16111174	Spring, Drop Foot with Hardware
7	5	16111126	Clevis Pin Kit, 1/4in x 1-1/2in
	5	16101244	Cotter Pin, Locking, 1/4in
8	1	16111178	Linkage, Drop Foot
9	1	16111166	Clevis Pin Kit, 1/4in x 1in
	1	16101244	Cotter Pin, Locking, 1/4in
10	1	16111180	Pin, Drop Foot
11	2	16112102	Lock Pin, MD
12	2	16111136	Linkage, Lock Pin, MD2
13	2	16111170	Spring, Retract, Rapidlink
14	1	16111138	Linkage, Center, MD2
15	1	16111134	Linkage, Pedal, MD2
16	1	16111172	Spring, Extend, Rapidlink
17	1	16111132	Screw Kit, Pedal Pivot
18	1	16111146	Clevis Pin Kit, Pedal Linkage
	1	16101246	Cotter Pin, Locking, 3/8in
19	1	16111113	Foot Pedal, Cast
20	2	16111156	Clevis Pin Kit, A-Frame to Lift Frame
	2	16101252	Cotter Pin, Locking, 1in
21	1	16111162	Float Plate Kit (Set of 4)
22	1	16112202	A-Frame, MD2
23	1	16103020	U-bolt Kit
24	1	16103000	Chain, 5/16in Grade 43, 24 Links
	1	16101150	Pivot Bolt Kit with Grease Fitting
	1	16102104	Washer, 1in
25	1	16101152	Nut, Pivot Bolt
	1	16101516	Grease Fitting, 1/4in-28 Threaded
	1	16101160	Bolt, Angle Stop
26	1	16101164	Washer, 3/4in
	1	16101162	Nut, Angle Stop
27	5	16102142	Clevis Pin Kit, 7/8in x 3-1/4in
	5	16101250	Cotter Pin, Locking, 7/8in
28	1	16112404	Chain Lift, MD2
29	2	16102122	Clevis Pin Kit, 7/8in x 4in
	2	16101250	Cotter Pin, Locking, 7/8in
30a	1	16152132A	Rear Panel, HPU DS
30b	1	16152135	Rear Panel, HPU PS Straight
31	1	16160420	Harness Grommet
32	7	16152126	Panel Thumb Screw Kit
33a	1	16152138	Enclosure, HPU DS
33b	1	16152140	Enclosure, HPU PS
34	1	16111638	Light Bar, MD2
35	1	16111520	Light Bar Fastener Kit
36	1	16111636	Logo Plate with Hardware
37	1	16111130	Mount Kit, HPU
38	1	16151000	HPU, Straight
	1	16154220	Cylinder, Lift, 1-1/2in x 6in
39	1	16154212	Cylinder Packing Kit, 1-1/2in with Wiper Seal
	1	16154214	Cylinder Gland Nut, 1-1/2in with Wiper Seal
40	1	16151325	Connector, -4 SAEM/JICM
41	1	16153100	Hose, 1/4in x 18in, -4 JIC
	2	16154120	Cylinder, Angle, 1-1/2in x 10in
42	2	16154212	Cylinder Packing Kit, 1-1/2in with Wiper Seal
	2	16154214	Cylinder Gland Nut, 1-1/2in with Wiper Seal
43	2	16151324	Connector, -6 JICM/SAEM
44	4	16151322	Elbow, -6 JICM/JIC Swivel
45	2	16153110	Hose, 3/8in x 38in, -6 JIC
46	2	16151112	Plug, 3/8in NPT
47	1	16151110	Reservoir Kit
48	1	16151114	Reservoir Fastener Kit (4 Screws & 8 Washers)
49	1	16159114	Reservoir Seal Kit
50	1	16151102	Inlet Strainer with Elbow
51	1	16151100	Gear Pump
	1	16159116	Shaft Seal
52	1	16151106	Spline Coupler, Straight
53	1	16151200	Motor, 2HP
54	6	16152016	Plug, -2 SAE
55	1	16151306	Angle Lock Valve
56	1	16151326	Vent
	1	16151312	Solenoid Valve, 2 Way, Normally Closed
57	1	16159102	Seal Kit, 16151312/16151330
	1	16159103	Screen, 16151312
58	1	16151314	Solenoid Valve, 3 Way, Selector
	1	16159104	Seal Kit, 16151314
59	1	16151316	Solenoid Valve, 4 Way, Reversing
	1	16159106	Seal Kit, 16151316
60	3	16151318	Coil, 8 Size, Dual Spade
61	1	16151308	Lift Check Valve
	1	16900010	Lift Check Valve Removal Tool
62	1	16151320	Connector, -4 BSPP/JICM
63	1	16151310	Lowering Speed Valve
64	1	16151302	Main Relief Valve
65	1	16151304	Crossover Relief Valve, 2800PSI
66	1	16160302	Truckside Control Harness, G2
	1	16160310	Repair End, 16160300
67	1	16160500	Battery Cable
	1	16160104	Grill to Relay Harness
68	1	16160405	Small Spring Cage (Set of 20)
69	2	16160511	Harness Cap/Retainer
70	2	16160513	Harness Plug/Retainer
71	1	16160410	Motor Relay
72	1	16160116	Relay Module Mounting Plate
	1	16160102	Main Relay Harness
73	6	16160114	Headlight Module Relay
	1	16160112	Repair End, 8 Pin, 16160100
	1	16160400	Plowside Control Harness
74	1	16160402	Large Spring Cage Kit (Set of 2)
	1	16160405	Small Spring Cage (Set of 20)
75	1	16160250	Plowside Light Harness, G2
76	1	16160450	Jack Switch
	1	16160800	SnowDogg® Illuminator LED Plow Lights
	1	16160810	Light, Driver Side, 16160800
	1	16160820	Light, Passenger Side, 16160800
	1	16160842	Module, Heater, 16160800
	1	16160844	Bulb, Heater Module, 16160800
	1	16160700A	SnowDogg HX High Intensity Halogen Lights
	1	16160710A	Light, DS (Part of 16160700A) 19+
77	1	16160712A	Housing, DS Halogen Light
	1	16160720A	Light, PS (Part of 16160700A) 19+
	1	16160722A	Housing, PS Halogen Light
	2	16160732	Halogen Light Housing Gasket
	2	16160734	Halogen Light Harness, Internal
	2	16160736	Harness Clamp with HDW, 16160700A
	2	16160740	Bulb, H1 High Beam
	2	16160742A	Bulb, H7 Low Beam, Night Breaker
	2	16160744	Bulb, Park/Turn, Amber
78	2	16160830	LED Light Mounting Hardware Kit (1 Light)
	2	16160730B	Halogen Light Mounting Hardware Kit (1 Light)
	1	16160601B	Controller, Straight Blade G2
	1	16160622	Mount Kit, 1616*601
79	1	16160632	Keypad, 16160601
	1	16160642B	Circuit Board, 16160601
	1	16160652	Harness, 1616*601

# MDII SERIES REPLACEMENT PARTS



## MOLDBOARD

ITEM	QTY.	PART NO.	DESCRIPTION
		16020412	MD68-2 Moldboard
		16020422	MD75-2 Moldboard
		16020432	MD80-2 Moldboard
	1	16122340	Frame, Moldboard, MD68
1	1	16122342	Frame, Moldboard, MD75
	1	16122344	Frame, Moldboard, MD80
2	1	16112300	Sector, MD
3	1	16101110A	Trip Pin Kit (Set of 2)
4	2	16101516	Grease Fitting, 1/4in-28 Threaded
5	2	16101200	Trip Spring
6	1	16101220A	Spring Mount Eye Bolt Kit (Set of 2)
7	2	16121350	Shoe Assembly, MD
8	1	16122100	Blade Guide Kit
9	2	16120122	Crosstube Cap
10	1	16120110	Moldboard Skin Hardware Kit
	1	16121410	Skin, MD68, SST
11	1	16121420	Skin, MD75, SST
	1	16121430	Skin, MD80, SST
	1	16121156	Deflector, 80in Poly
	1	16121157	Deflector, 80in Rubber
12	1	16121158	Deflector, 90in Poly
	1	16120157	Deflector, 90in Rubber
	1	16120158	Deflector, 96in Poly
	1	16120159	Deflector, 96in Rubber
	1	16121256	Clamp Strip, 80in
13	1	16121258	Clamp Strip, 90in
	1	16120258	Clamp Strip, 96in
	1	16120114	Cutting Edge Hdw Kit, 5/8in-11 (Set of 14)
14	1	16120116	Cutting Edge Hdw Kit, 5/8in-11, MD68
	1	16120510	Cutting Edge, 80in x 3/8in
	1	16120705	Cutting Edge, 80in Rubber
	1	16120520	Cutting Edge, 90in x 3/8in
15	1	16120610	Cutting Edge, 90in x 1/2in
	1	16120710	Cutting Edge, 90in Rubber
	1	16120620	Cutting Edge, 96in x 1/2in
	1	16120720	Cutting Edge, 96in Rubber
16	1	16121504	MD2 Moldboard Decal Kit (Front & Rear)